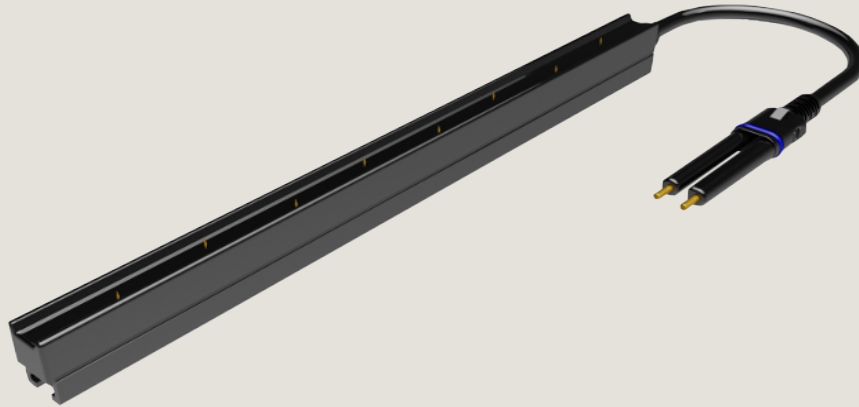


**KERSTEN®**

# Electrode

## DE 206



Our most popular discharging electrode. DE 206 ensures the effective elimination of existing static charge on different materials and optimizes your process.

### THE PRODUCT

### PRODUCT BENEFITS

- Safe to touch
- Small electrode cross-section
- Vacuum-casted
- Customizable to individual lengths

### CUSTOMER BENEFITS

- Plug-in system
- Longlife product
- Minimal maintenance effort
- Easy to install

### WHY KERSTEN?

- Made in Germany for over 40 years
- Needs-based consultation
- Tailor-made solutions
- Very short delivery times

**GENERAL**

Supply voltage	U	kV DC	<+6.0/>-4.5
Power consumption per 1m electrode length at max. supply voltage	$I_{max}$	µA	250
Connection type			neXt® - plug-in
Grid width (tip distance)		mm	25
Available total lengths	L	mm	90 - 3040*

**DETAILS**

Effective distance (possible / optimal)		mm	10-300 / 20-60
Min. distance to metal areas (lateral / in operating direction)		mm	10 / 40
Max. available high voltage cable length		m	120
- Grid up to 2.0m / - Grid from 2.0m		m	0.1 / 0.5
Minimum bend radius of cable			
- Fixed installation / - Constant movement	R	mm	15 / 30

**CLIMATIC CONDITIONS**

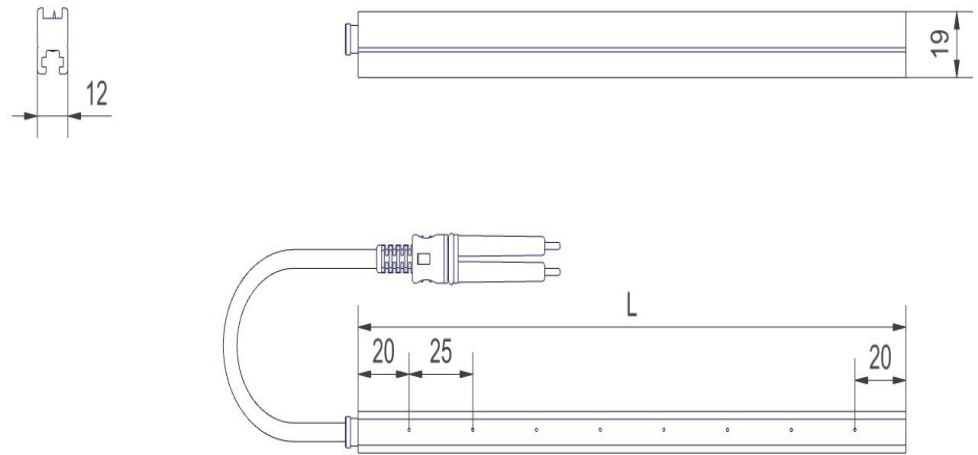
Temperature during transport and storage	T	°C / °F	-25- +85 / -13- +185**
Temperature during operation	T	°C / °F	+5- +80 / +41- +176***
Relative humidity ( non condensing)	RH	%	<80

**DIMENSIONS**

L/W/H	mm	L / 12 / 19
-------	----	-------------

\*active length = total length -40mm \*\*acc. UL50 TypB / class 3K3 max. +70 °C (+158 °F) \*\*\*acc. UL50 TypB / class 3K3 max. +70 °C (+158 °F)

**TECHNICAL DRAWING**



All dimension measurements in mm

**KERSTEN ELEKTROSTATIK GMBH**

Walter-Knoell-Straße 3  
D-79115 Freiburg | Germany  
T +49 761 47944-0 | F +49 761 47944-99  
info@kersten.de | www.kersten.de

