

KERSTEN®

Generator

DG 206



THE PRODUCT

The driving force for your discharge.
The high voltage generators provide the electrical supply for all KERSTEN discharging components.
Error information for generator and components included.

BENEFITS

- Patented DC - Voltage
- Compact Design
- Plug-in System
- Highest output of ions

CUSTOMER BENEFITS

- No EMC problems
- Installation in the smallest of spaces
- Flexible expansion options
- Maintenance free

GENERAL INFORMATION

Supply voltage	U_{enn}	V DC	24+-20%
Internal protection	I	A	1,0
Max. operating current	I_b	A	0,63
Max. active power	P	W	15
Control voltage	U_{st}	V DC	24+-20%
Max. current control circuit	I_{st}	A	1,0
Error output voltage	U_f	V DC	24+-20%
Max. error output voltage	I_f	A	0,4
Error output voltage inverted	U_{fi}	V DC	24+-20%
Max. error output voltage inverted	I_{fi}	A	0,4

DETAILS

Output voltage	U_a	kV DC	+3,8/-2,8
Max. output voltage	I_{max}	mA	0,9
Type of protection			IP54
Number of high voltage slots			2
Type of connection			neXt® - Stecksystem

CLIMATE CONDITIONS

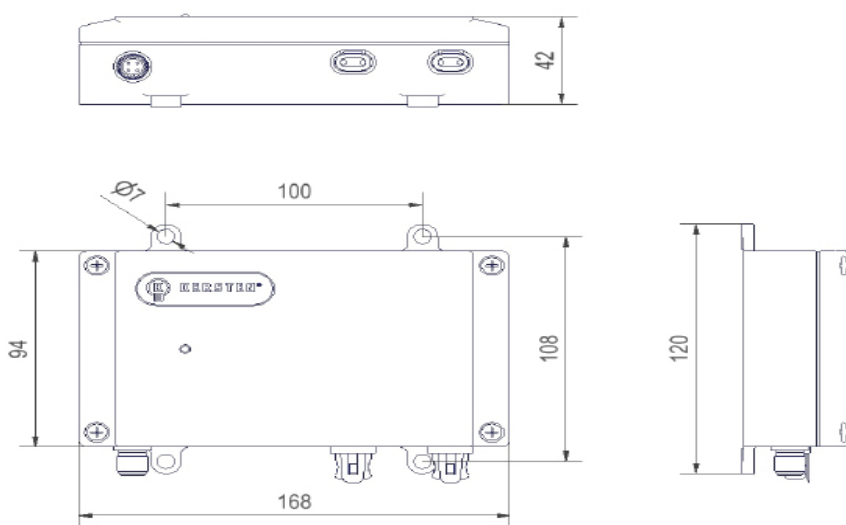
Temperature during transport and storage	T	°C / °F	-25 - +85 / -13- +185*
Temperature during operation	T	°C / °F	+5 - +50 / +41- +122**
relative humidity (non-condensing)	RH	%	<80

DIMENSIONS

	L/W/H	mm	168/120/42
--	-------	----	------------

* acc. to UL50 Type B / Class 3K3 max. 70 °C (+158 °F) ** acc. to UL50 Type B / Class 3K3 max. 40 °C (+104°F)

TECHNICAL DRAWING



All dimension measurements in mm

KERSTEN ELEKTROSTATIK GMBH

Walter-Knoell-Straße 3
D-79115 Freiburg | Germany
T +49 761 47944-0 | F +49 761 47944-99
info@kersten.de | www.kersten.de

