

KERSTEN®

Discharging Pistol

DP 106



The new discharging pistol from KERSTEN.
The DP 106 is best suited for mobile and flexible use on diverse material and surfaces at your site.

THE PRODUCT

PRODUCT BENEFITS

- Excellent cleaning results
- Easy to use
- Plug-in System

CUSTOMER BENEFITS

- Suitable for a wide range of applications
- Fits to your compressed air supply
- Easy to install
- Continuous flow of ions

WHY KERSTEN?

- Made in Germany for over 40 years
- Needs-based consultation
- Tailor-made solutions

GENERAL

Supply voltage	U	kV DC	+4.5<U<+6.0/-3.3>U>-4.5
Power input at max. supply voltage	I _{max}	µA	30
Connection type			neXt® - plug-in
Effective range			
- Possible / - Optimal		mm	10-1000 / 10-200

AIR SUPPLY

Air connection (hardware connection)		mm	Ø 10,0
Air supply (oil, water, dust free)	p	bar	0.2 - 2.5
Air consumption at 0.2 to 2.5bar		m ³ /h	2.8 - 15.5

HIGH VOLTAGE CABLE

Max available high-voltage cable length		m	120
- Grid up to 2m / - Grid from 2m		m	0.1 / 0.5
Minimum bending radius of cable			
- Fixed installation / - Constant motion	R	mm	15 / 30

CLIMATIC CONDITIONS

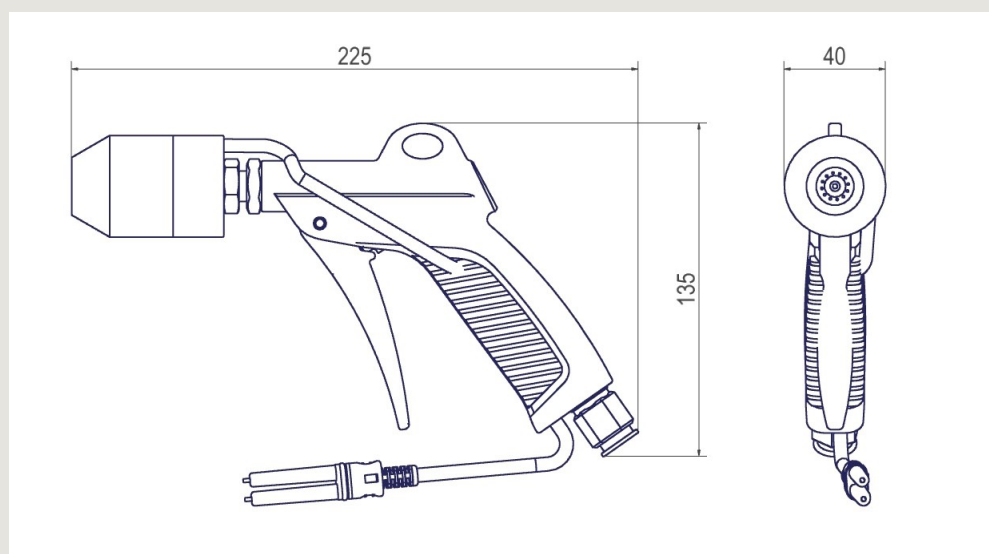
Temperature during transport and storage	T	°C / °F	-25 - +85 / -13 - +185 *
Temperature during operation	T	°C / °F	+5 - +80 / +41 - +176 **
Relative humidity (non-condensing) / compressor air supply	RH	%	< 80 / <60

DIMENSIONS

	L / W / H	mm	225 / 40 / 135
--	-----------	----	----------------

* acc. UL50 Typ B / class 3K3 max 70 °C (+158 °F) ** acc. UL50 Typ B / class 3K3 max 40 °C (+104 °F)

TECHNICAL DRAWING



All dimension measurements in mm

KERSTEN ELEKTROSTATIK GMBH

Walter-Knoell-Straße 3
D-79115 Freiburg | Germany
T +49 761 47944-0 | F +49 761 47944-99
info@kersten.de | www.kersten.de